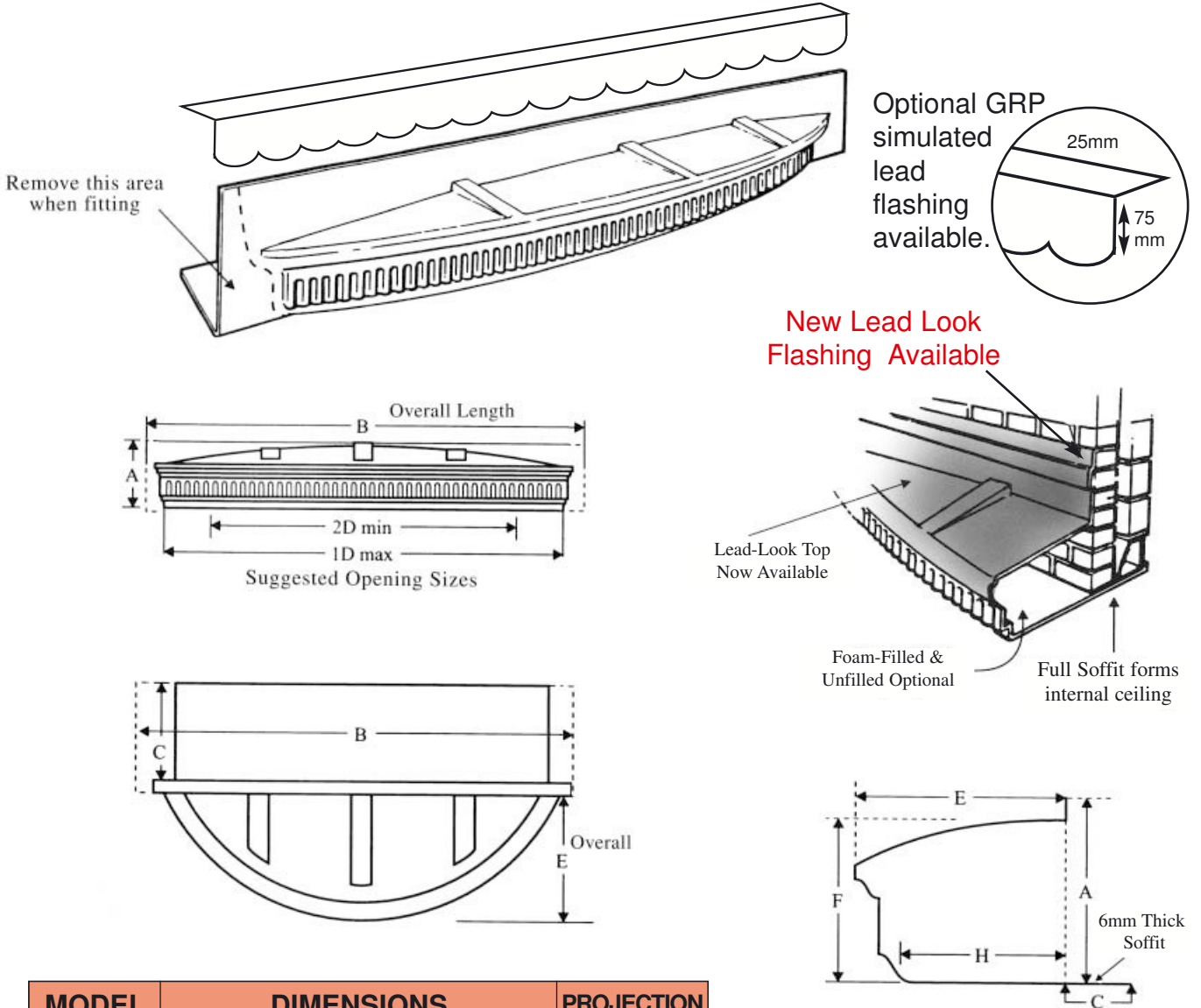


GLASS REINFORCED BOW CANOPIES

*The answer to your fitting problems
All we need is your brickwork opening size.*



MODEL	DIMENSIONS							PROJECTION
SIZE	A	B	C	1D	2D	E	F	H
1800 Canopy	250	2360	300	1900	1500	256	200	175mm
2400 Canopy	300	2830	300	2500	1900	390	250	310mm
2800 Canopy	310	3150	300	2800	2500	460	260	360mm
3400 Canopy	330	3730	300	3400	2800	590	280	490mm

Manufactured in strong rigid G.R.P. this beautifully designed canopy is available for any opening between 1500 and 3400. Available in three shades of white, chocolate brown, oak and rosewood. Cuts fitting time to a minimum and can be completed by an installer, eliminating lead work and plaster ceilings etc. No need for specialist contractors to finish the job.